
LED Back-lit Panel Light



Product Features

- 1.The panel light is mainly used in commercial lighting places, such as office, factory, supermarket and so on.
- 2.The panel light has uniform and soft luminance, high luminous efficacy, saving energy and protecting environment.
- 3.Using principle of back-lit, the panel light is extremely beautiful.
- 4.Using high quality material, with great heat dissipation and low light degradation.
- 5.Using high quality driver, efficiency>86%, PF>0.9.
- 6.Lifespan>50,000 hours.
- 7.0-10V dimming function dimming driver.
- 8.Dustproof: Zero distance between back cover and the frame protect against dust perfectly.
- 9.No yellowing problem of Light Guided Plate for this panel light.
- 10.Connect the AC wire and DC wire of the driver input separately.
- 11.CCT Adjustable range:4000K-5000K-6500K.
- 12.Power Adjustable range:

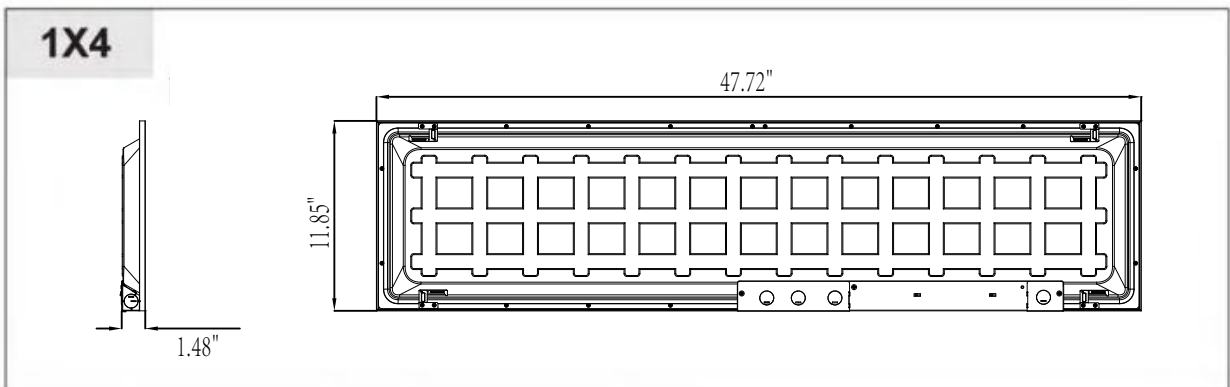
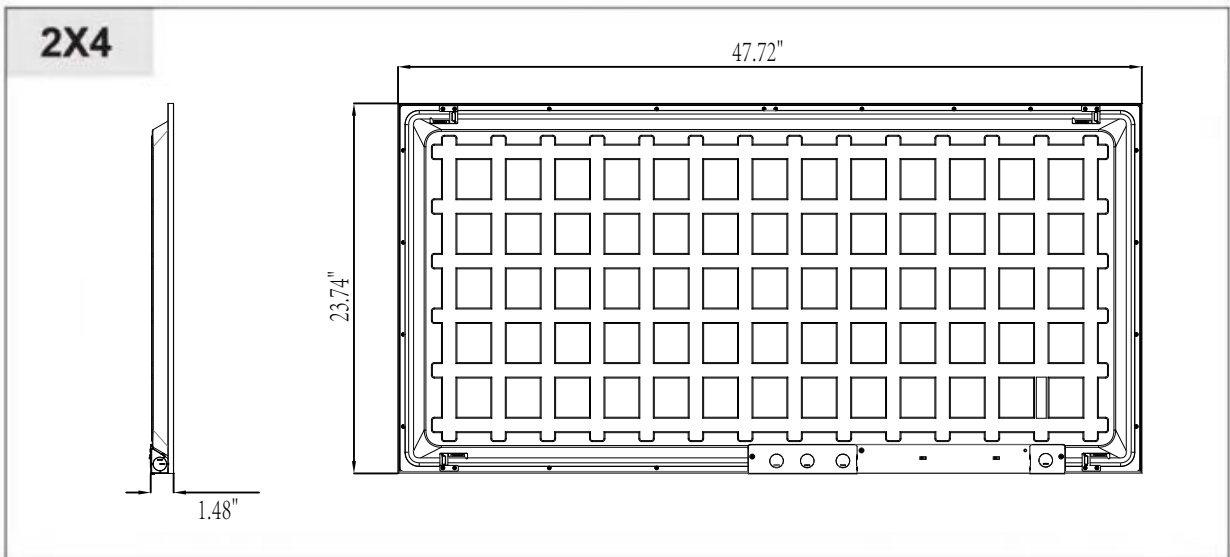
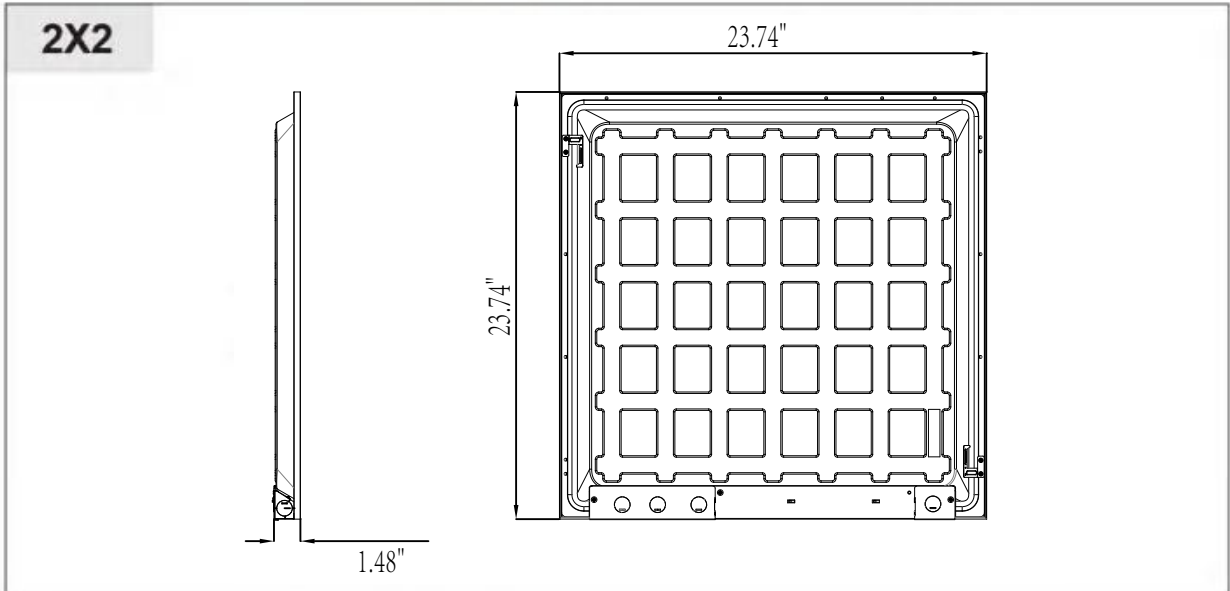
Specification

Product Model	Power	Working Current	Input Voltage	Luminous Efficacy	CCT	Viewing Angle	Ra	Dimmable	Warranty
BPL603*603-xxW-S-TCP	20W/25W/30W	0.33A	AC100-277V	110lm/W					
BPL603*603-xxW-S-TCP	30W/35W/40W	0.44A							
BPL1212*301-xxW-S-TCP	25W/30W/35W	0.385A							
BPL1212*301-xxW-S-TCP	30W/35W/40W	0.44A							
BPL1212*603-xxW-S-TCP	30W/35W/40W	0.44A							
BPL1212*603-xxW-S-TCP	30W/40W/50W	0.55A							
BPL1212*603-60W-S-TCP	40W/50W/60W	0.66A							
BPL603*603-xxW-P-TCP	20W/25W/30W	0.33A	AC100-277V	125lm/W	4000K 5000K 6500K	120°	≥80	0-10V	5 years
BPL603*603-40W-P1-TCP	30W/35W/40W	0.44A							
BPL1212*301-xxW-P-TCP	25W/30W/35W	0.385A							
BPL1212*301-xxW-P-TCP	30W/35W/40W	0.44A							
BPL1212*603-xxW-P-TCP	30W/35W/40W	0.44A							
BPL1212*603-xxW-P-TCP	30W/40W/50W	0.55A							
BPL1212*603-60W-P-TCP	40W/50W/60W	0.66A							
BPL603*603-xxW-S-347-TCP	20W/25W/30W	0.33A	AC100-347V	110lm/W					
BPL603*603-xxW-S-347-TCP	30W/35W/40W	0.44A							
BPL1212*301-xxW-S-347-TCP	25W/30W/35W	0.385A							
BPL1212*301-xxW-S-347-TCP	30W/35W/40W	0.44A							
BPL1212*603-xxW-S-347-TCP	30W/40W/50W	0.55A							
BPL1212*603-xxW-S-347-TCP	30W/35W/40W	0.44A							
BPL1212*603-xxW-S-347-TCP	30W/40W/50W	0.55A							
BPL603*603-xxW-P-347-TCP	20W/25W/30W	0.33A	AC100-347V	125lm/W					
BPL603*603-xxW-P-347-TCP	30W/35W/40W	0.44A							
BPL1212*301-xxW-P-347-TCP	25W/30W/35W	0.385A							
BPL1212*301-xxW-P-347-TCP	30W/35W/40W	0.44A							
BPL1212*603-xxW-P-347-TCP	30W/35W/40W	0.44A							
BPL1212*603-xxW-P-347-TCP	30W/40W/50W	0.55A							
BPL1212*603-xxW-P-347-TCP	30W/40W/50W	0.55A							

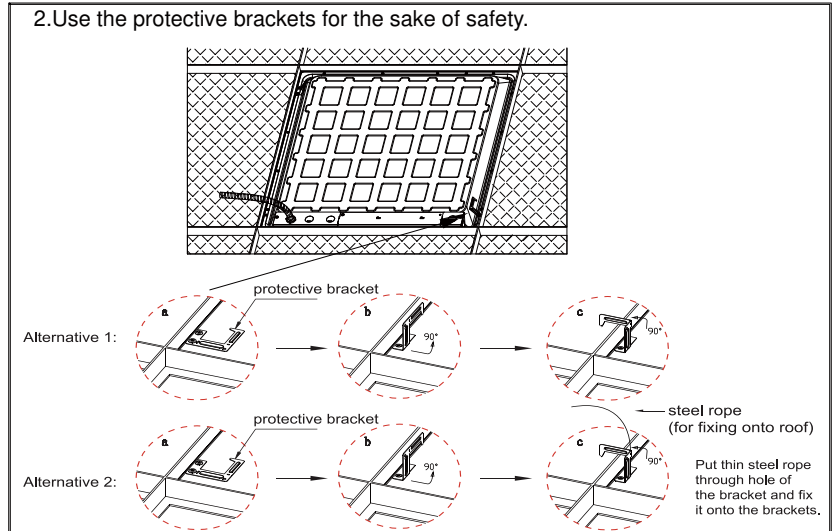
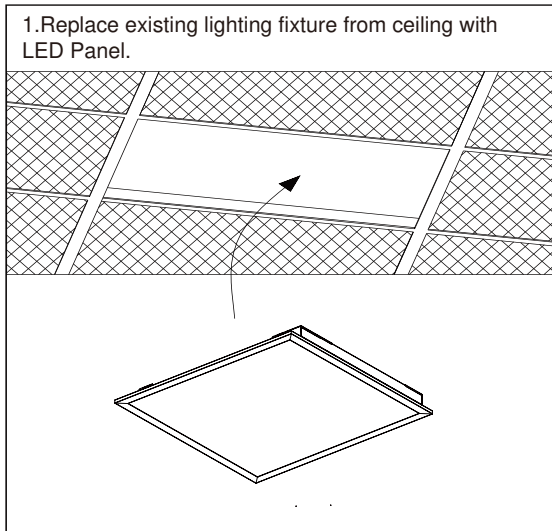
Note: Above is the normal parameters, the following functions can be achieved according to customers requests.

Emergency panel light: emergency power is 4-20W, emergency time is 1.5-2h, for all the above specifications.

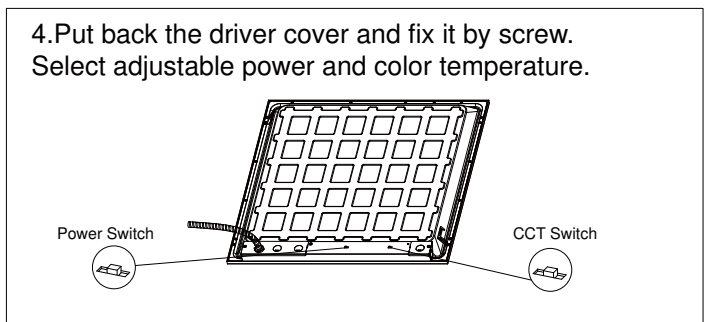
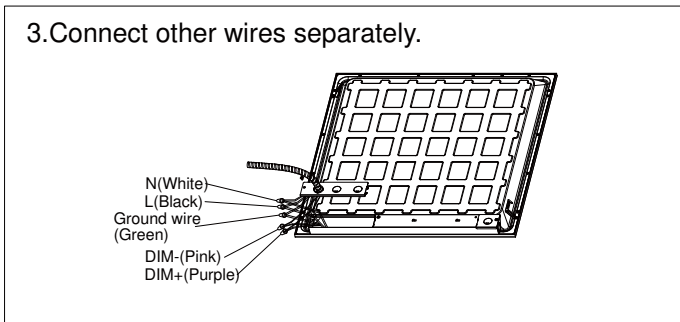
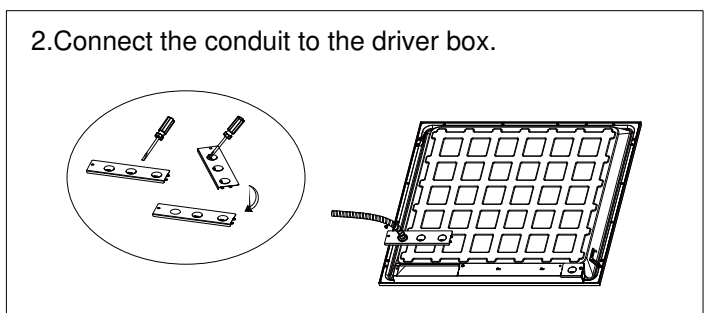
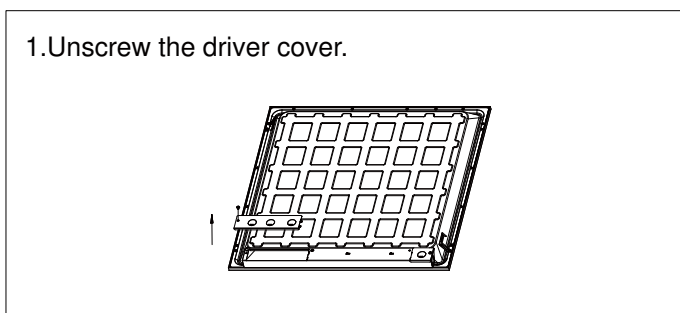
Product Dimension



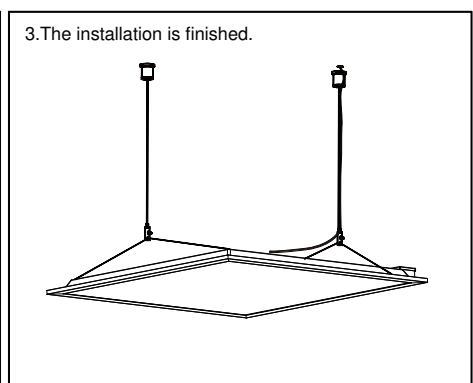
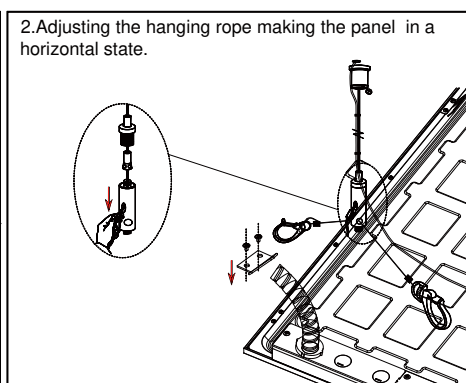
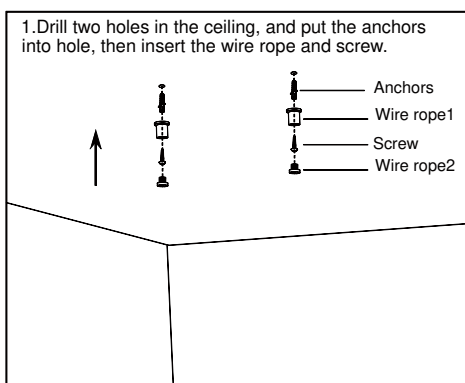
Recessed Installation



Installation Guide



Suspension kit Installation



Note: 2*2/1*4/2*4ft: 2 pcs suspension kits needed for installation.

Packing/Weight

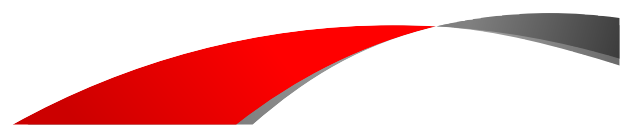
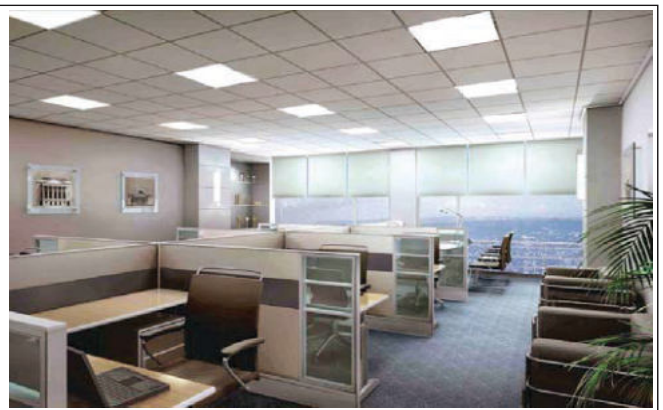
Part NO.	Outer Carton Size (L*W*H)	Qty/Carton (pcs)	Net weight (kg/lbs)	Gross weight (kg/lbs)
BPL603*603	25.12''*6.38''*25.39'' 638*162*645mm	4	8.24/18.17	9.52/20.99
BPL1212*301	49.09''*6.38''*13.46'' 1247*162*342mm	4	8.64/19.05	9.62/21.21
BPL1212*603	49.09''*6.38''*25.39'' 1247*162*645mm	4	15.04/33.16	17.32/38.18

Part NO.	Outer Carton Size (L*W*H)	Qty/Carton (pcs)	Net weight (kg/lbs)	Gross weight (kg/lbs)
BPL603*603	24.72''*3.62''*25'' 628*92*635mm	2	4.12/9.08	5.04/11.11
BPL1212*301	48.7''*3.62''*13.07'' 1237*92*332mm	2	4.40/9.70	5.14/11.33
BPL1212*603	48.7''*3.62''*25'' 1237*92*635mm	2	7.52/16.58	9.04 /19.93

Package Diagram



Applications



Warning

- * Make sure the distances between live part and metal part of LED panel can satisfy reinforced or double insulation.
- * The luminaire should only be installed by a qualified electrician.
- * Before installation and maintenance of the LED panel, please disconnect the power to prevent electric shock.
- * Before installation and maintenance, LED panel must be operated by professional and technical personnel, non-professionals do not to remove the light .
- * The LED panel must be installed in an appropriate environment to work. In harsh environments may shorten the life or even damage the light .
- * For type Y attachments: If the external flexible cable or cord of this luminaire is damaged, it shall be exclusively replaced by the manufacturer or his service agent or a similar qualified person in order to avoid a hazard.